



**The Elegance™  
Photovoltaic Solar  
Panels Series**

**E24™**

P100E

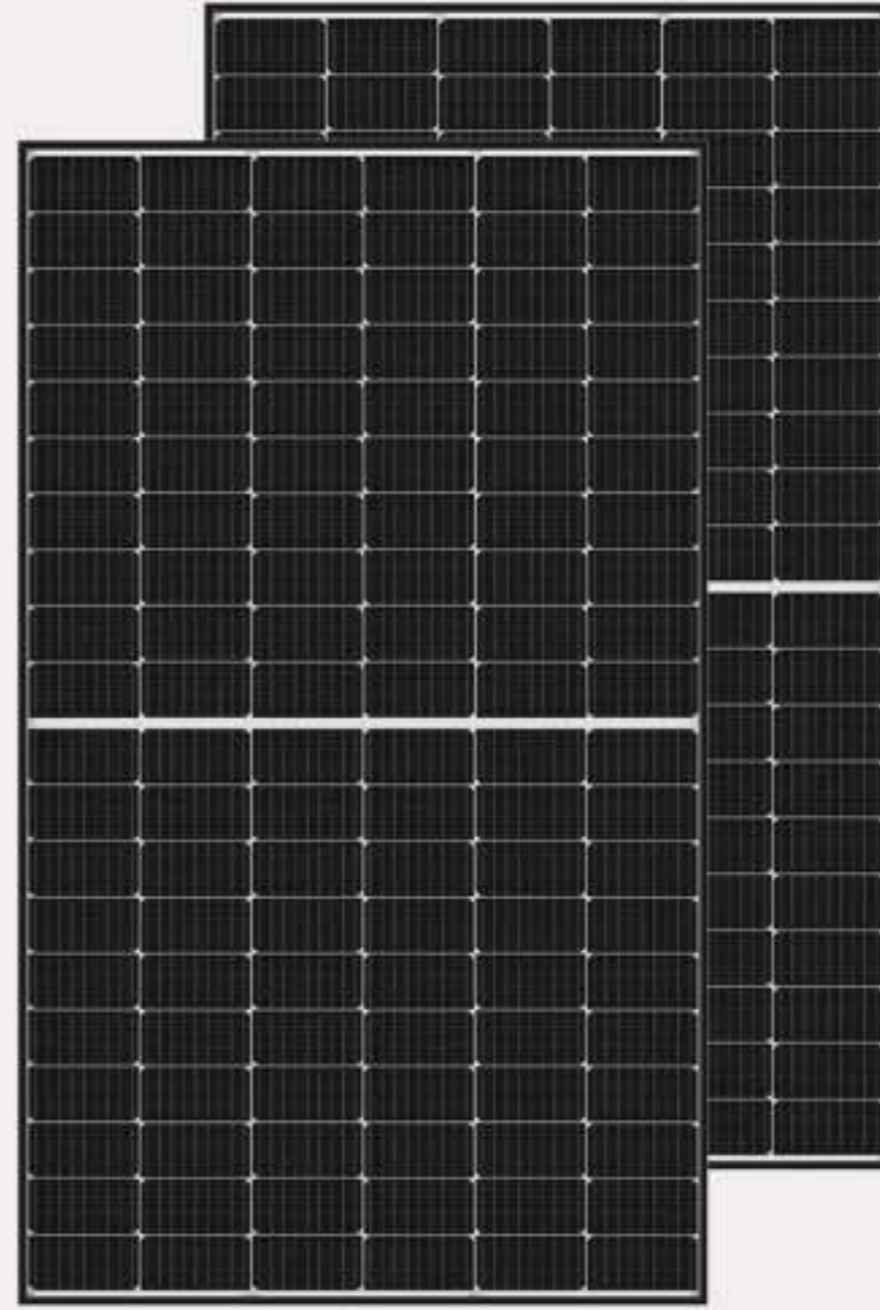
**Solar Photovoltaic Panels with exemplary  
Performance, Reliability, Aesthetics & Value**

E24 range of Mono-crystalline & Poly-crystalline photovoltaic panels offer an elegant product that packs unmatched performance, efficiency, and reliability all within an affordable investment backed by a second to none performance warranty.





# PVM120 Series 355-375W



**Black Frame**

**375W**

Maximum Power Output

**20.4%**

Maximum Module Efficiency

**0~+5W**

Power Output Guarantee

**YOUR  
BEST  
PV  
SUPPLIER**



Ideal choice for large scale ground installation



More evenly distributed soldering points and better reliability and lower hot spot risk



Selected encapsulating material and stringent production process control ensure the product is highly PID resistant and snail trails free



Lower LID due to lower oxygen and carbon content



Special cell process ensures great performance under low irradiance conditions



Provides higher module efficiency under low irradiance conditions, and achieves greater installation capacity in a limited space.

## Key features

- World-class manufacturer of crystalline silicon photovoltaic modules
- Fully automatic facility and world-class technology
- Rigorous quality control to meet the highest standard: ISO9001:2015, ISO14001: 2015 and OHSAS: 18001 2007
- Tested for harsh environments (salt mist, ammonia corrosion and sand blowing test: IEC 61701, IEC 62716, DIN EN 60068-2- 68)
- Long term reliability tests
- 2 × 100% EL inspection ensuring defect-free modules

## Linear Performance Warranty



(\*) Refer to E24 Warranty on Solar Panels

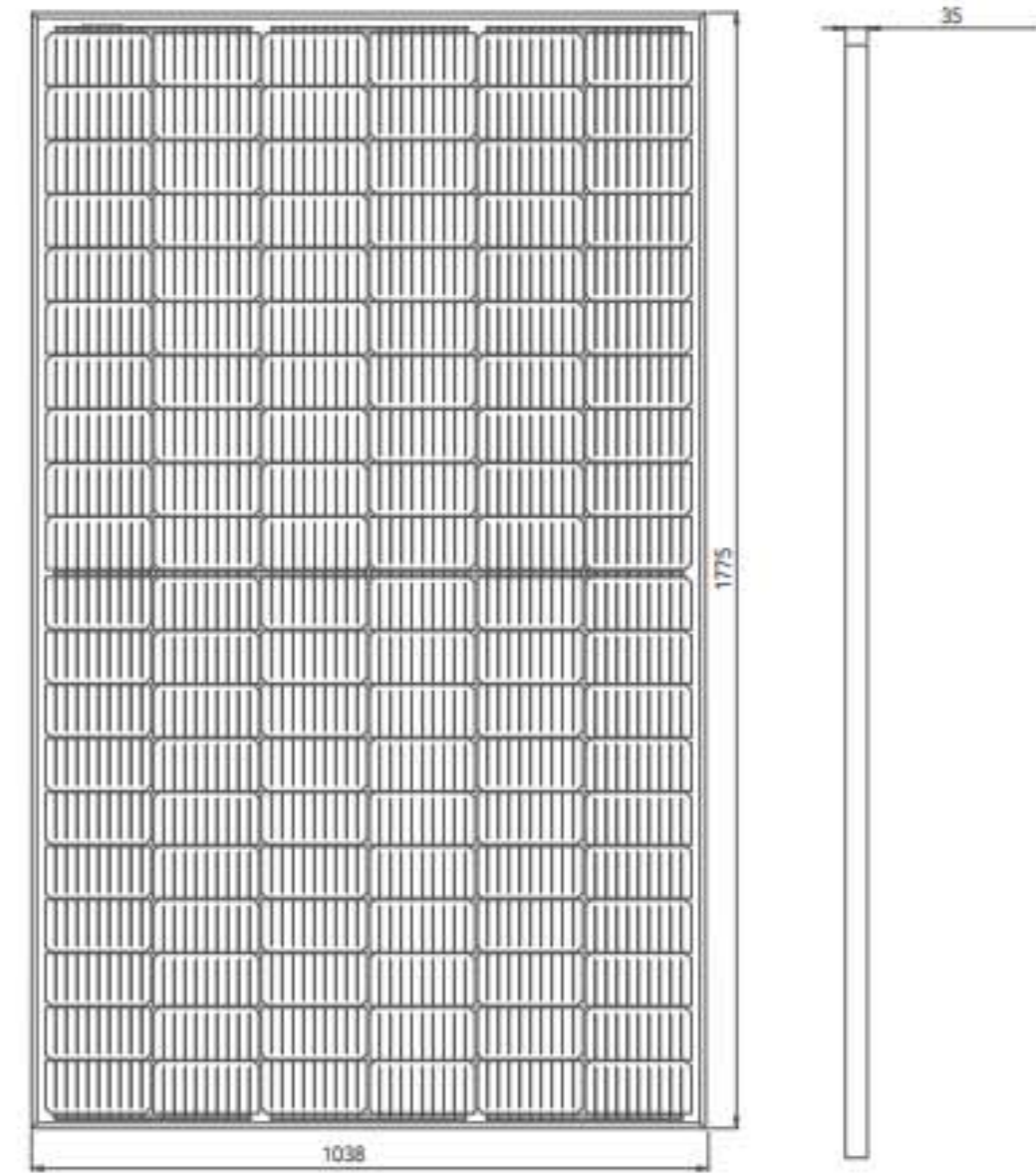
Certificate





# ELECTRICAL PARAMETERS AT STC

Model	PVM120-355-1	PVM120-360-1	PVM120-365-1	PVM120-370-1	PVM120-375-1
Max Power(Pmax) [W]	355	360	365	370	375
Open Circuit Voltage(Voc) [V]	40.5	40.7	40.9	41.1	41.3
Short Circuit Current(Isc) [A]	11.10	11.15	11.20	11.26	11.31
Max Power Voltage(Vmp) [V]	34.0	34.3	34.6	34.9	35.2
Max Power Current(Imp) [A]	10.45	10.50	10.56	10.61	10.66
Module Efficiency [%]	19.3	19.6	19.8	20.1	20.4
Power Tolerance	0-5W				
Max System Voltage	DC 1500/1000(IEC)				
Max Series Fuse Rating	20A				
Operating Temperature	-40°C to +85°C				
STC	Irradiance 1000W/m <sup>2</sup> , cell temperature 25°C, AM1.5				

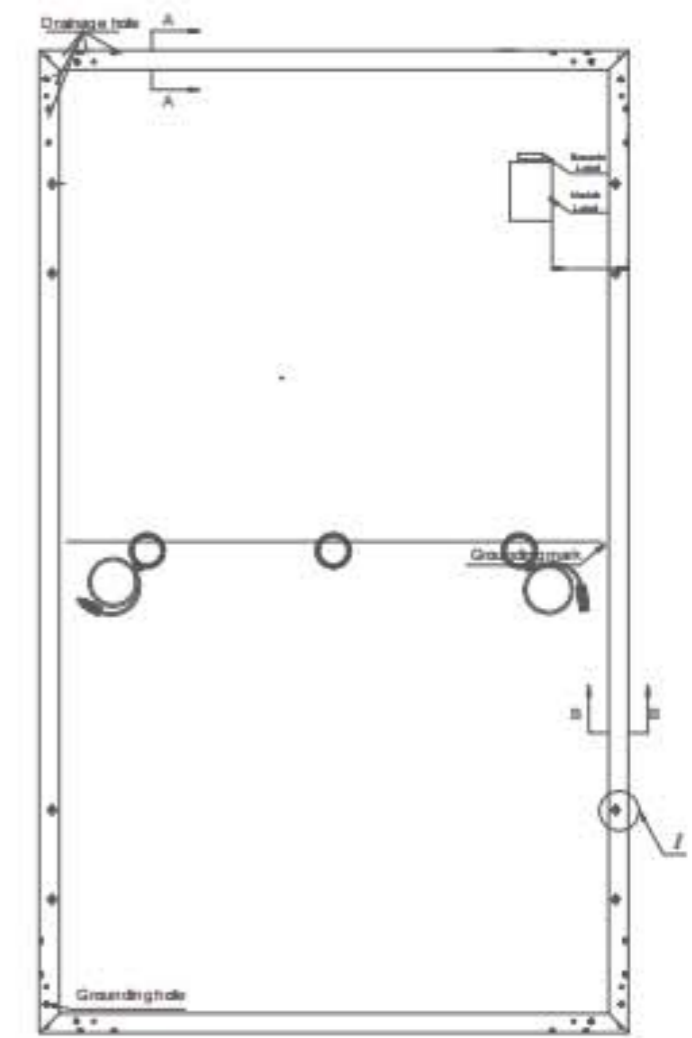


\*For mechanical loading performance: front side maximum static loading 5400Pa, rear side maximum static loading 2400Pa; hailstone test: 25mm hailstone at the speed of 23m/s

# NMOT

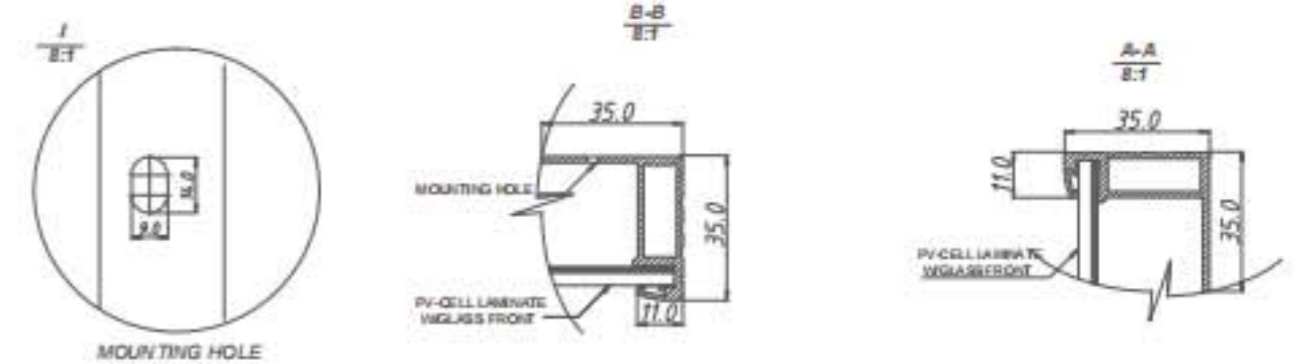
Model Number	PVM120-355-1	PVM120-360-1	PVM120-365-1	PVM120-370-1	PVM120-375-1
Max Power(Pmax) [W]	264.2	267.7	271.2	274.7	278.1
Open Circuit Voltage (Voc)	37.7	37.9	38.0	38.2	38.4
Short Circuit Current (Isc)	8.96	9.00	9.04	9.09	9.13
Maximum Power Voltage (Vmp)	31.4	31.6	31.9	32.1	32.3
Maximum Circuit Current (Imp)	8.43	8.46	8.50	8.55	8.60
NMOT	43±2°C				

\*Irradiance 800 W/m<sup>2</sup>, ambient temperature 20°C, wind speed 1m/s



# Mechanical Characteristics

Solar Cells	Mono Perc 166×166mm
Dimensions	1775x1038x35mm
Weight	21kg
Front Load	5400Pa
Connector Type	PV Connector
Junction Box	IP68,3/6 bypass diode
Cables	4mm <sup>2</sup> (IEC)
Glass	3.2mm High Transmission Tempered Glass
Frame	Anodized Aluminium Alloy Frame
Packing	31pcs per pallet, 186pcs per 20'GP Container, 832pcs per 40'HQ Container

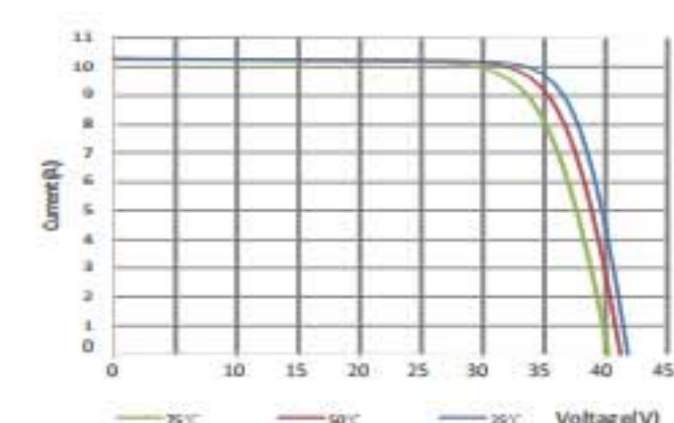
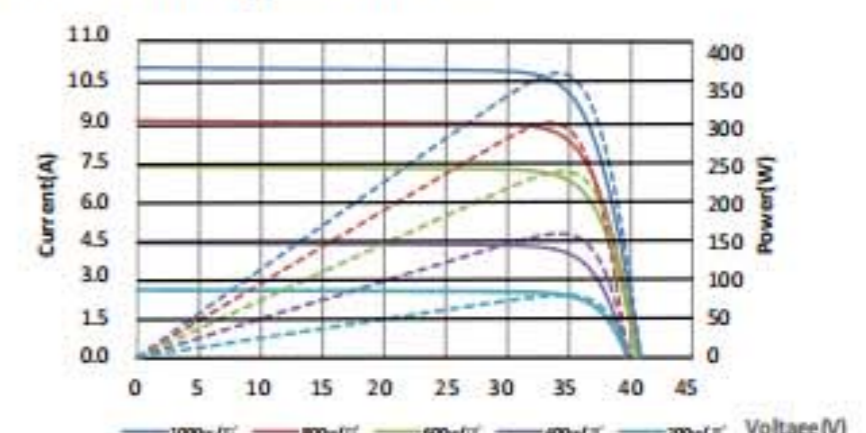


# Temperature Characteristics

Temperature Coefficient of Pmax	γ (Pm)	-0.36%/°C
Temperature Coefficient of Voc	β (Voc)	-0.26%/°C
Temperature Coefficient of Isc	α (Isc)	0.043%/°C

# I-V Curves

Current-Voltage Curve







# PVM72S-500-1

## Shingled 500W



**YOUR  
BEST  
PV  
SUPPLIER**

**500W**  
Maximum Power Output

**21.3%**  
Maximum Module Efficiency

**0~+5W**  
Power Output Guarantee



Ideal choice for large scale ground installation



Shingled cells use flexible adhesives instead of metal alloys to achieve interconnections between the cells, which has better flexibility



Selected encapsulating material and stringent production process control ensure the product is highly PID resistant and snail trails free



Lower LID due to lower oxygen and carbon content



Special cell process ensures great performance under low irradiance conditions

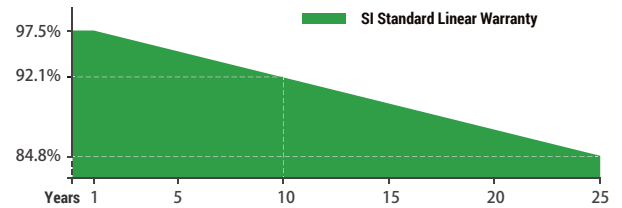


Provides higher module efficiency under low irradiance conditions, and achieves greater installation capacity in a limited space.

### Key features

- World-class manufacturer of crystalline silicon photovoltaic modules
- Fully automatic facility and world-class technology
- Rigorous quality control to meet the highest standard: ISO9001:2015, ISO14001: 2015 and OHSAS: 18001 2007
- Tested for harsh environments (salt mist, ammonia corrosion and sand blowing test: IEC 61701, IEC 62716, DIN EN 60068-2- 68)
- Long term reliability tests
- 2×100% EL inspection ensuring defect-free modules

### Linear Performance Warranty



15 Years Product Warranty 25 Years Linear Power Warranty

\* Please refer to E24 standard warranty for details

Certificate

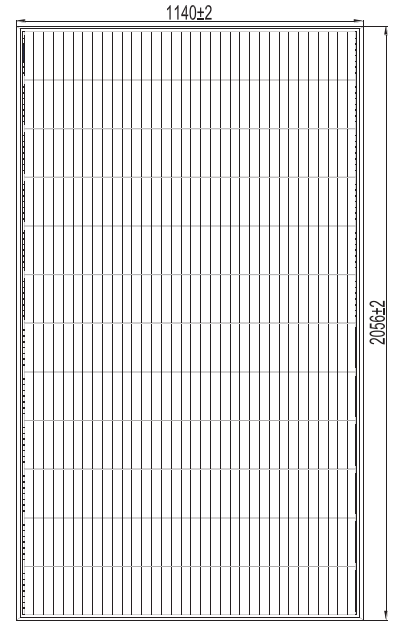




# ELECTRICAL PARAMETERS AT STC

Model	PVM72S-500-1
Max Power(Pmax) [W]	500
Open Circuit Voltage(Voc) [V]	46.8
Short Circuit Current(Isc) [A]	13.40
Max Power Voltage(Vmp) [V]	39.0
Max Power Current(Imp) [A]	12.82
Module Efficiency [%]	21.3
Power Tolerance	0-5W
Max System Voltage	1000V/1500V/DC(IEC)
Max Series Fuse Rating	20A
Operating Temperature	-40 °C to +85 °C
STC	Irradiance 1000W/m <sup>2</sup> , cell temperature 25 °C, AM1.5G

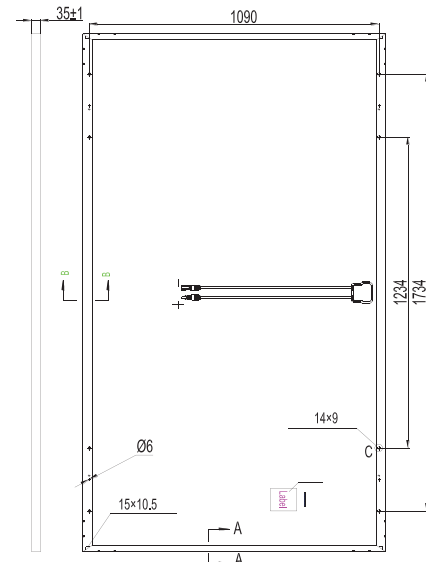
\*For mechanical loading performance: front side maximum static loading 5400Pa, rear side maximum static loading 2400Pa; hailstone test: 25mm hailstone at the speed of 23m/s



# NMOT

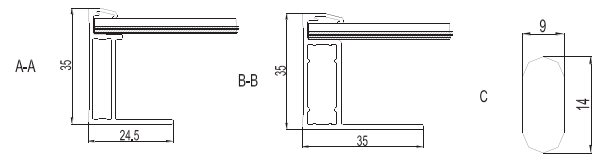
Model Number	PVM72S-500-1
Max Power(Pmax) [W]	376
Open Circuit Voltage (Voc)	44.6
Short Circuit Current (Isc)	10.81
Maximum Power Voltage (Vmp)	37.2
Maximum Circuit Current (Imp)	10.13
NMOT	42.3 °C (±2 °C)

\*Irradiance 800 W/m<sup>2</sup>, ambient temperature 20 °C, wind speed 1m/s



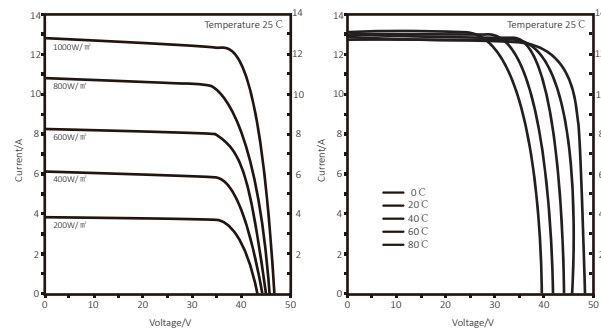
# Mechanical Characteristics

Solar Cells	Mono Perc 166mmx166mm
Dimensions	2056*1140*35mm
Weight	25kg
Front Load	5400Pa
Connector Type	PV Connector
Junction Box	Rated Current:20A, IP67
Cables	4mm <sup>2</sup> (IEC)
Glass	3.2mm White Toughened Safety Glass
Frame	Anodized Aluminium Alloy
Withstanding Hail	Maximum diameter of 25 mm with impact speed of 23 m·s <sup>-1</sup>
Packing	31pcs/box;682pcs/40'container;992pcs/flat car



# I-V Curves

Current-Voltage Curve



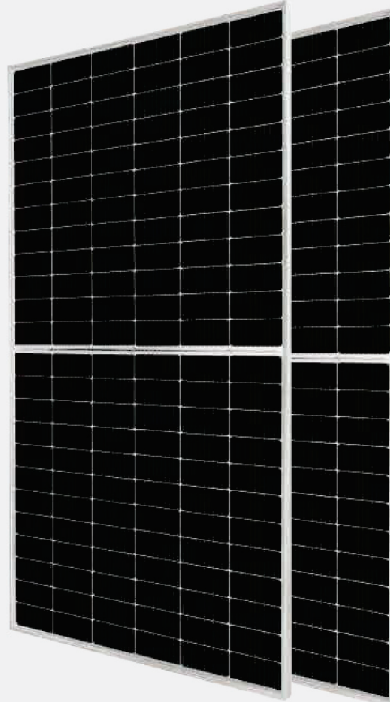
# Temperature Characteristics

Temperature Coefficient of Pmax	$\gamma$ (Pm)	-0.34%/°C
Temperature Coefficient of Voc	$\beta$ (Voc)	-0.27%/°C
Temperature Coefficient of Isc	$\alpha$ (Isc)	0.04%/°C



# PVM144 Series

## 525-550W



**YOUR  
BEST  
PV  
SUPPLIER**

**550W**

Maximum Power Output

**21.3%**

Maximum Module Efficiency

**0~+5W**

Power Output Guarantee



Higher output power



More reliable, more stable power generation



Less shading effect

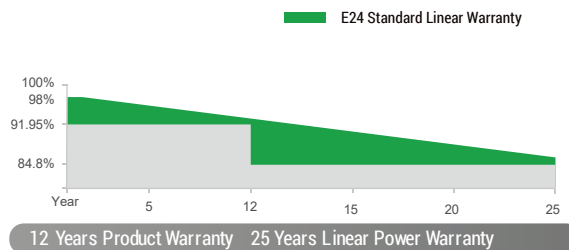


Lower temperature coefficient

### Key features

- World-class manufacturer of crystalline silicon photovoltaic modules
- Fully automatic facility and world-class technology
- Rigorous quality control to meet the highest standard: ISO9001:2015, ISO14001: 2015 and OHSAS: 18001 2007
- Tested for harsh environments (salt mist, ammonia corrosion and sand blowing test: IEC 61701, IEC 62716, DIN EN 60068-2- 68)
- Long term reliability tests
- 2x100% EL inspection ensuring defect-free modules

### Linear Performance Warranty



\* Please refer to E24 standard warranty for details

### Certificates

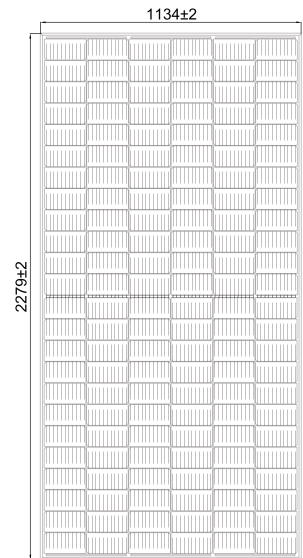




# ELECTRICAL PARAMETERS AT STC

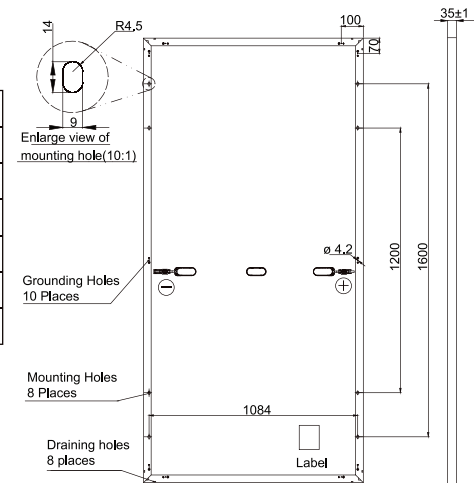
Model	PVM144-525-1	PVM144-530-1	PVM144-535-1	PVM144-540-1	PVM144-545-1	PVM144-550-1
Max Power(Pmax) [W]	525	530	535	540	545	550
Open Circuit Voltage (Voc) [V]	49.15	49.30	49.45	49.60	49.75	49.90
Max Power Voltage (Vmpp) [V]	41.15	41.31	41.47	41.64	41.80	41.96
Short Circuit Current (Isc) [A]	13.65	13.72	13.79	13.86	13.93	14.00
Max Power Current(Imp) [A]	12.76	12.83	12.90	12.97	13.04	13.11
Module Efficiency [%]	20.3	20.5	20.7	20.9	21.1	21.3
Power Tolerance	0-5W					
Max System Voltage	DC 1500V (IEC)					
Max Series Fuse Rating	25A					
Operating Temperature	-40 C to + 85 C					
STC	Irradiance 1000W/m <sup>2</sup> , cell temperature 25 C, AM1.5G					

\*For mechanical loading performance: front side maximum static loading 5400Pa, rear side maximum static loading 2400Pa; hailstone test: 25mm hailstone at the speed of 23m/s



# NMOT

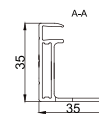
Model Number	PVM144-525-1	PVM144-530-1	PVM144-535-1	PVM144-540-1	PVM144-545-1	PVM144-550-1
Max Power(Pmax) [W]	397	401	405	408	412	416
Open Circuit Voltage (Voc) [V]	46.05	46.18	46.31	46.43	46.55	46.68
Max Power Voltage (Vmpp) [V]	38.36	38.57	38.78	38.99	39.20	39.43
Short Circuit Current (Isc) [A]	10.97	11.01	11.05	11.09	11.13	11.17
Max Power Current(Imp) [A]	10.35	10.39	10.43	10.47	10.51	10.55
NMOT	45±2°C					



# Mechanical Characteristics

Solar Cells	Mono Perc 182mm×182mm
Dimensions	2279±2mm×1134±2mm×35±1mm
Weight	28.6kg±3%
Front Load	5400Pa
Connector Type	PV Connector
Junction Box	IP68, 3 bypass diode
Cables	4mm <sup>2</sup> (IEC)
Glass	3.2mm High Transmission Tempered Glass
Frame	Anodized Aluminium Alloy
Packing	31pcs/pallet, 310pcs/20GP, 620pcs/40HQ

Units: mm

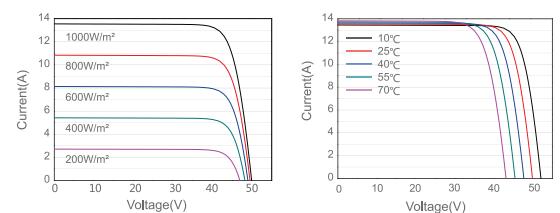


# Temperature Characteristics

Temperature Coefficient of Pmax	γ (Pm)	-0.350%/ C
Temperature Coefficient of Voc	β (Voc)	-0.275%/ C
Temperature Coefficient of Isc	α (Isc)	0.045%/ C

# I-V Curves

Current-Voltage Curve (PVM144-535-1)





[www.e24solutions.com](http://www.e24solutions.com)



ISO 9001:2015



QUALITY STANDARD

